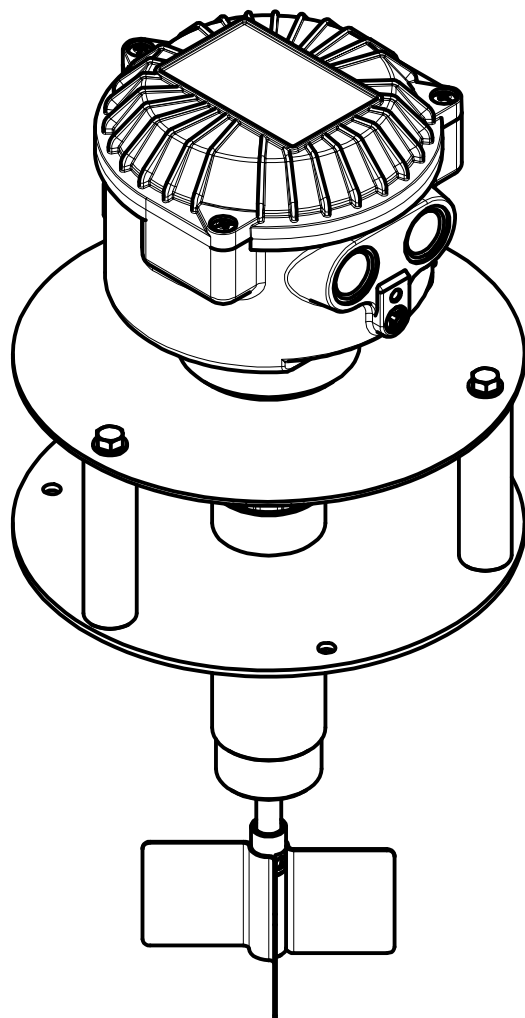


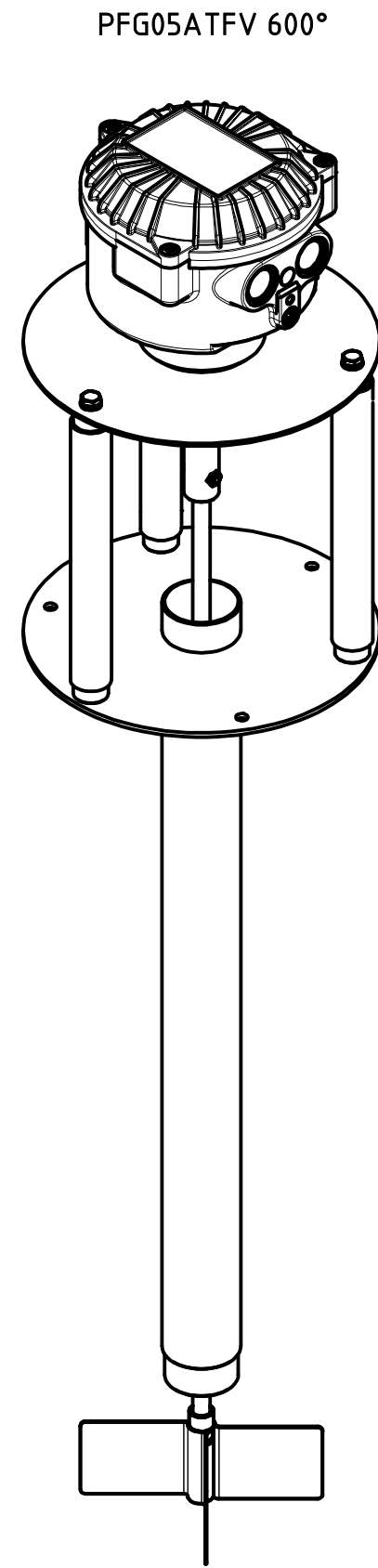
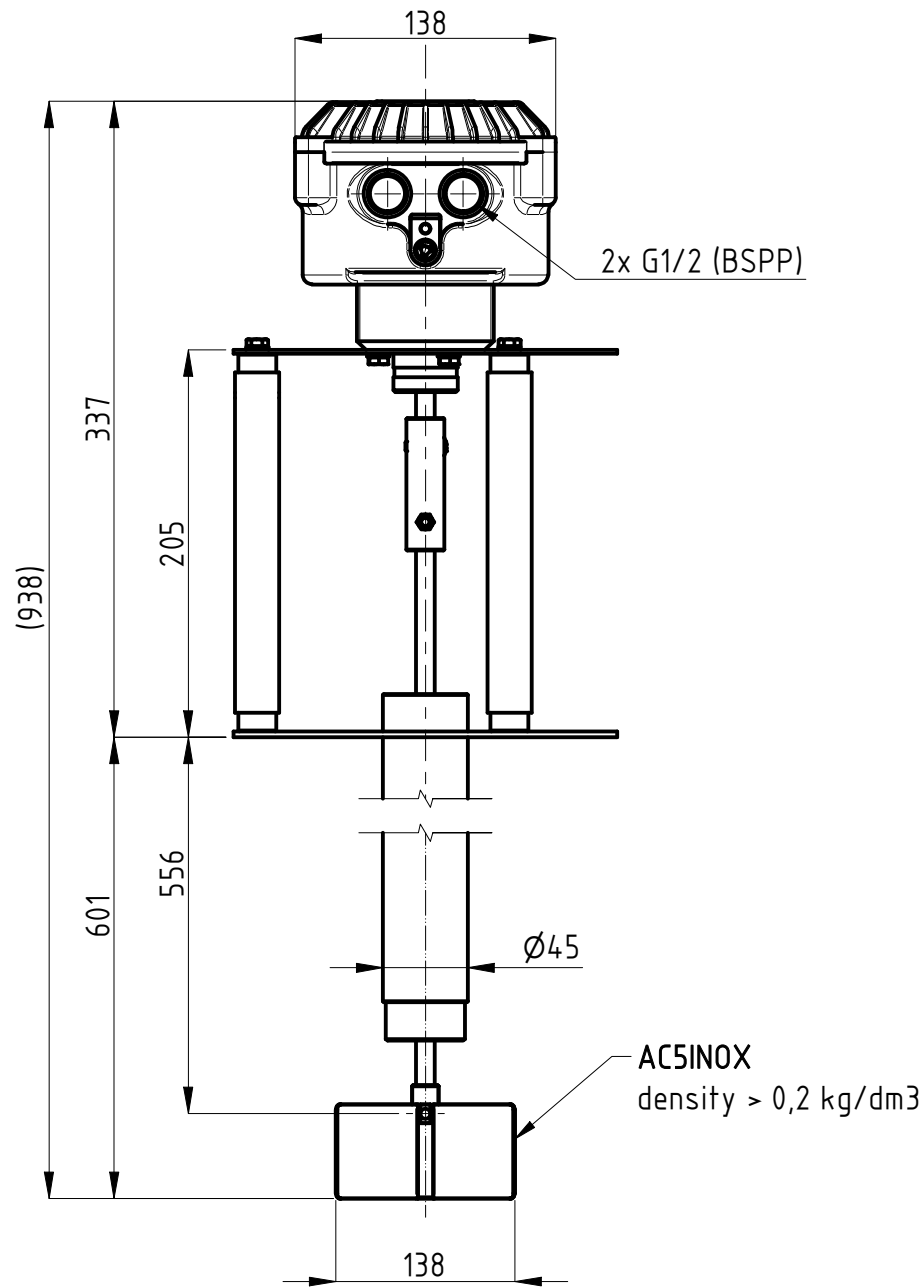
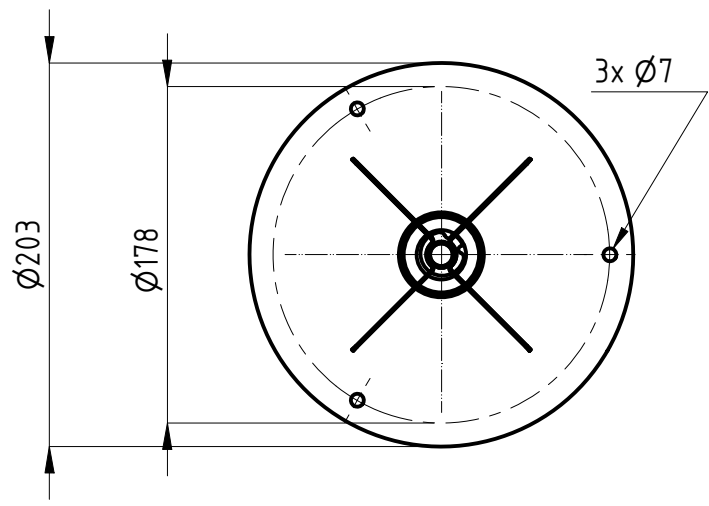
Terminals : male FASTON (.250 series / 6,3x0,8 mm)

PFG05ATFV 200°/400°

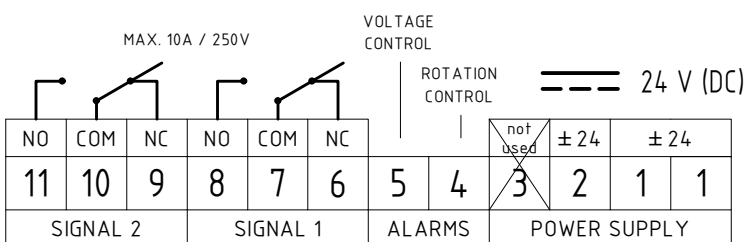
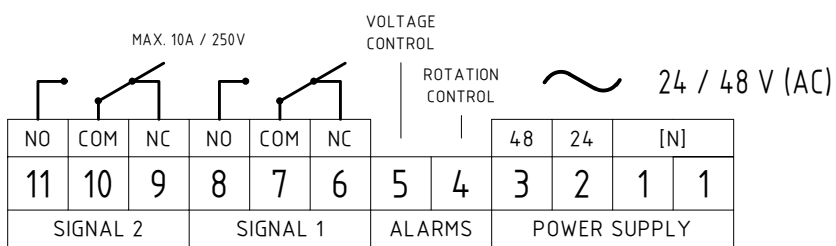
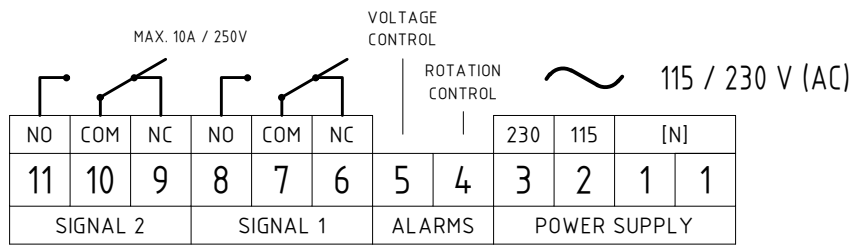


| | |
|---------------------|---|
| Model | PFG05ATFV 200°/400° |
| Weight | 3,7 [kg] (3,4 [kg]) |
| Power supply | - Bivoltage 115/230[V] (50...60Hz) - 4[W] - Bivoltage 24/48[V] (50...60Hz) - 4[W] - DC 24[V] ±15% - 4[W] |
| Signal | SPDT / max. 10[A]-250VAC |
| IP grade | IP65 |
| Housing | Aluminium (powder coated) |
| Connection | Flange - AISI304 |
| Ambient temperature | -20 < Ta < +70 [°C] -40 < Ta < +70 [°C] <i>LOW TEMPERATURE versions only (PFG.../B)</i> |
| Process temperature | -20 < Tp < +200 [°C] (-20 < Tp < +400 [°C]) -40 < Tp < +...00 [°C] <i>LOW TEMPERATURE versions only (PFG.../B)</i> |
| Pressure range | +0,8 ... +1,1 bar [abs] +0,8 ... +5 bar [abs] <i>(non ATEX versions)</i> |
| Directives | 2011/65/EU (RoHS) 2014/30/EU (EMC) 2014/34/EU (ATEX) (ONLY 200° VERSION) 2014/35/EU (LVD) |
| ATEX Marking | Ex II 1/2 D Ex ta/tb IIIC T85°C IP65 Da/Db Ex II 3 D Ex tc IIIB T85°C Dc (Lamp version) |
| IECEX Marking | Ex ta/tb IIIC T85°C Da/Db |

| | | | |
|---|---|---|---------------------------|
| <p>© CAMLogic Via dell'Industria 12 42025 Cavriago (RE) - ITALY www.camlogic.it</p> | <p>CAMLogic®</p> | DRAWING N. | SHEET: |
| | | 0602_0005_00 | 1 OF 5 |
| GENERAL TOL.: ISO 2768-mH | UNLESS OTHERWISE SPECIFIED DIMENSION ARE IN [mm] | DRAWING FROM CAD SYSTEM - REFER TO 3D MODEL FOR MISSING DIMENSION - NO MANUAL MODIFICATION ALLOWED | SCALE: 1:3 |
| | | | REV: 1 DATE 21.09.2021 |



PFG05ATFV 600°



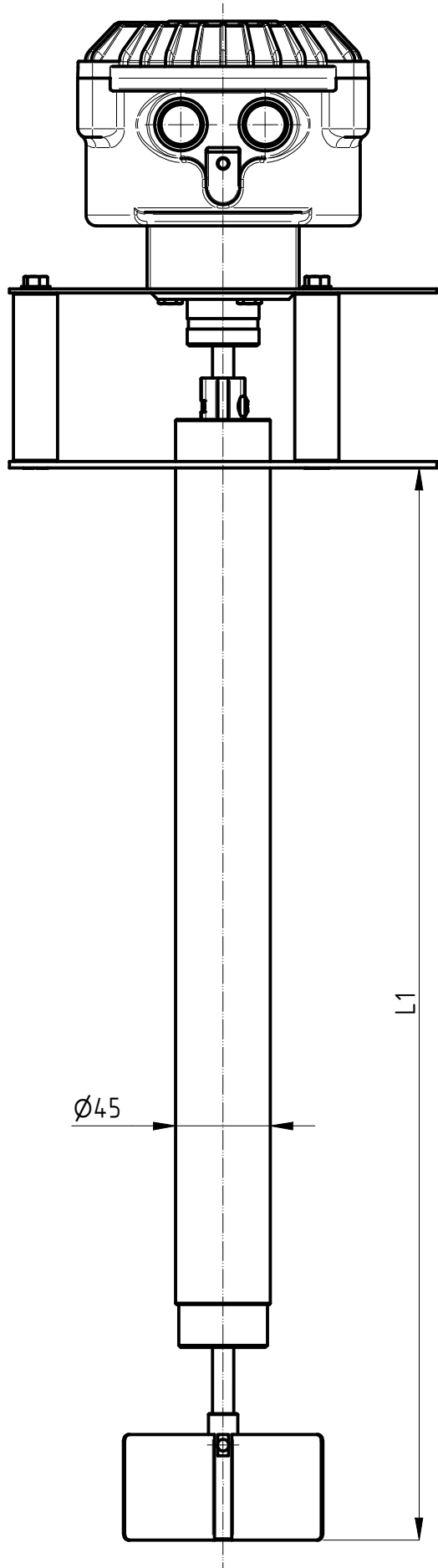
Terminals : male FASTON (.250 series / 6,3x0,8 mm)

| | |
|---------------------|--|
| Model | PFG05ATFV 600° |
| Weight | 5,5 [kg] |
| Power supply | - Bivoltage 115/230[V] (50...60Hz) - 4[W] - Bivoltage 24/48[V] (50...60Hz) - 4[W] - DC 24[V] ±15% - 4[W] |
| Signal | SPDT / max. 10[A]-250VAC |
| IP grade | IP65 |
| Housing | Aluminium (powder coated) |
| Connection | Flange - AISI304 |
| Ambient temperature | -20 < Ta < +70 [°C] -40 < Ta < +70 [°C] <i>LOW TEMPERATURE versions only (PFG.../B)</i> |
| Process temperature | -20 < Tp < +600 [°C] -40 < Tp < +600 [°C] <i>LOW TEMPERATURE versions only (PFG.../B)</i> |
| Pressure range | +0,8 ... +5 bar [abs] |
| Directives | 2011/65/EU (RoHS) 2014/30/EU (EMC) 2014/35/EU (LVD) |

| | | | |
|--|--|--|-----------------|
| <p>® CAMLogic</p> <p>Via dell'Industria 12</p> <p>42025 Cavriago (RE) - ITALY</p> <p>www.camlogic.it</p> | <p>CAMLogic®</p> | DRAWING N. | SHEET: |
| | | 0602_0005_00 | 2 OF 5 |
| GENERAL TOL.: ISO 2768-mH | UNLESS OTHERWISE SPECIFIED DIMENSION ARE IN [mm] | DRAWING FROM CAD SYSTEM - REFER TO 3D MODEL FOR MISSING DIMENSION - NO MANUAL MODIFICATION ALLOWED | SCALE: 1:4 |
| | | | REV: 1 |
| | | | DATE 21.09.2021 |

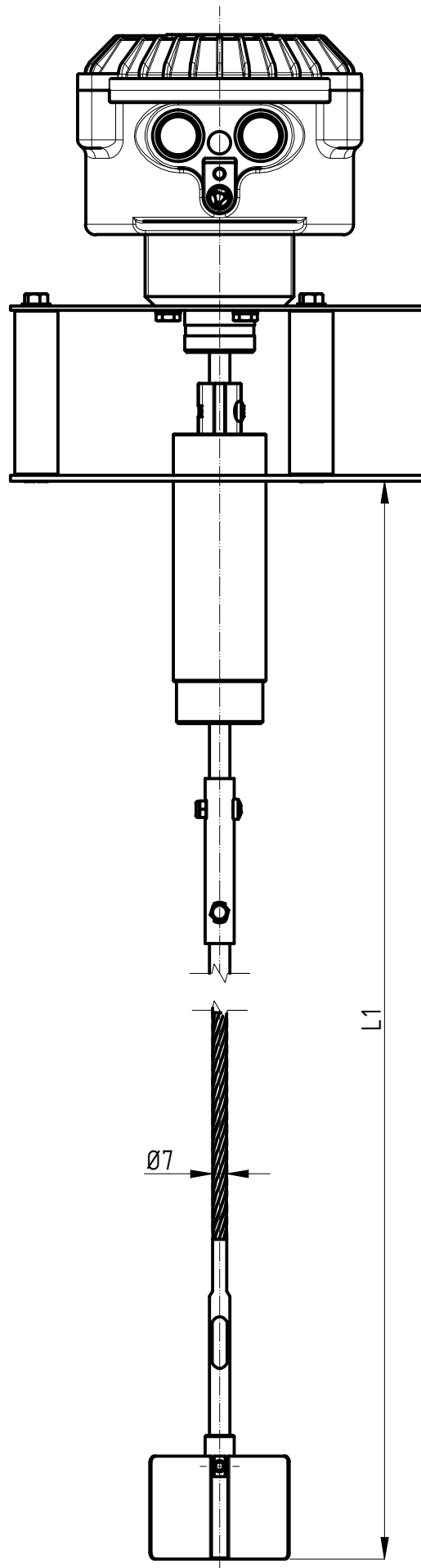
EXTENSIONS

Extension with external protection
PA : stainless steel



| L1 [mm] |
|--|
| 250 |
| 300 |
| 350 |
| 400 |
| 450 |
| 500 |
| 550 |
| 600 |
| 650 |
| 700 |
| 750 |
| 800 |
| 850 |
| 900 |
| 950 |
| 1000 |
| 1050 |
| 1100 |
| 1150 |
| 1200 |
| 1250 |
| 1300 |
| 1350 |
| 1400 |
| 1450 |
| 1500 |
| other lengths available on request, up to 1,5m |

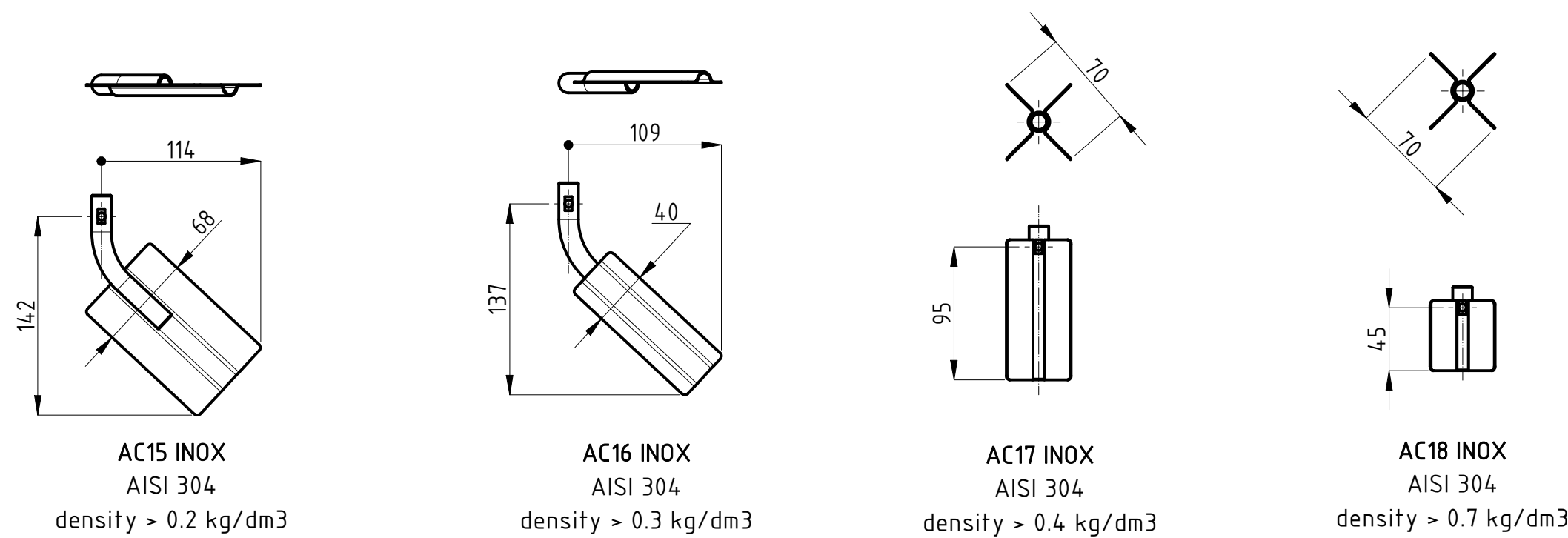
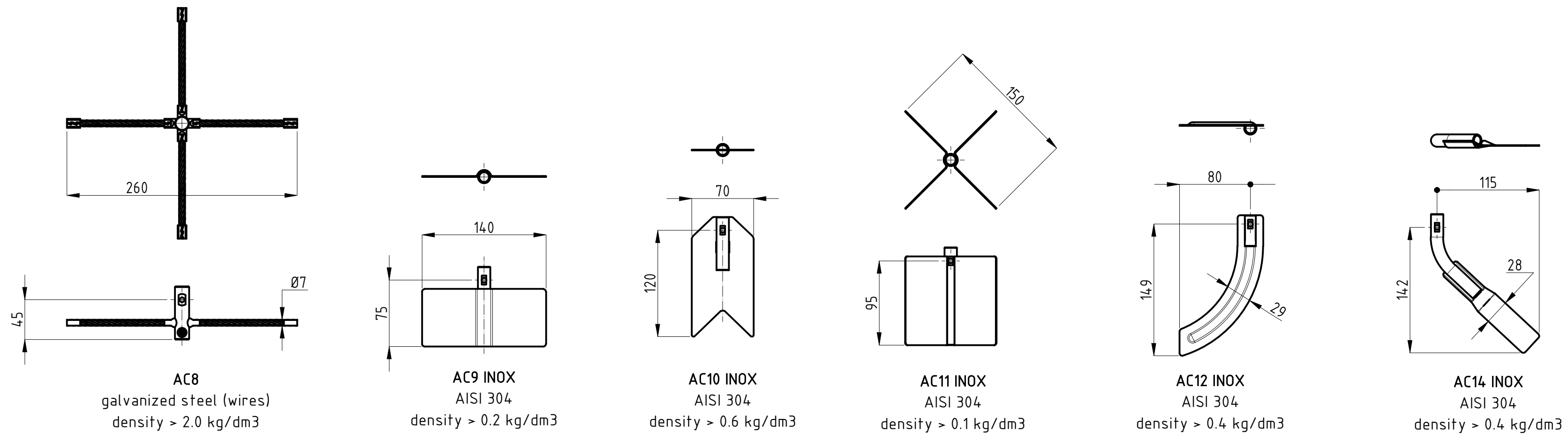
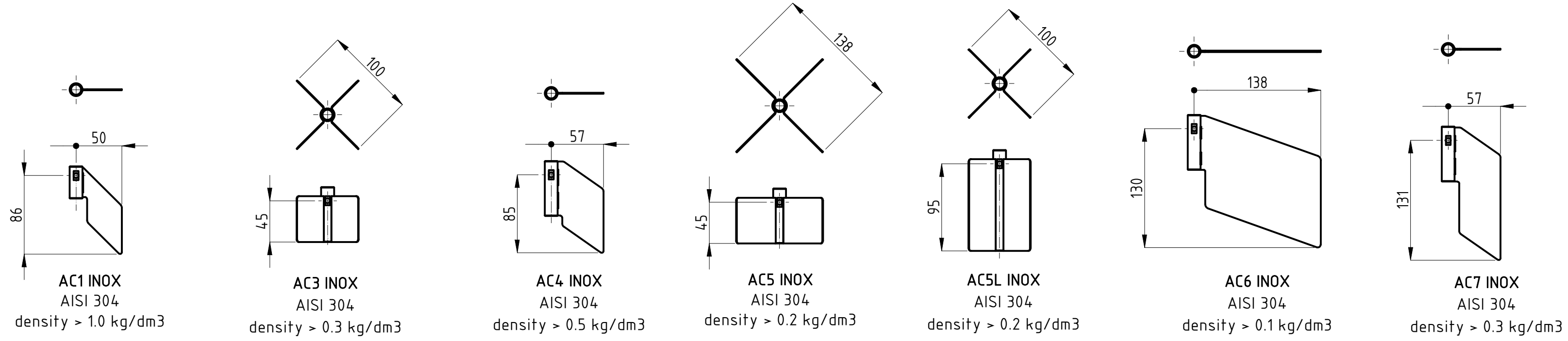
Flexible extension
PF : galvanized steel



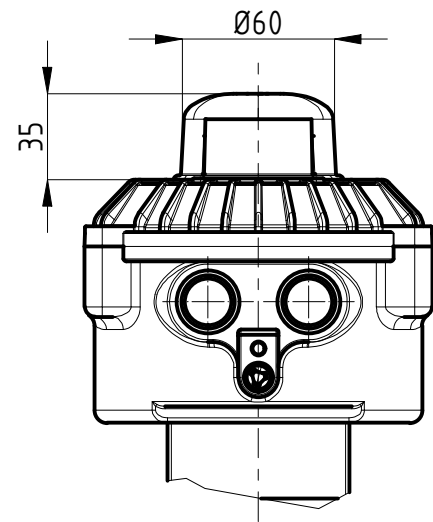
| L1 [mm] |
|---|
| 500 |
| 600 |
| 700 |
| 800 |
| 900 |
| 1000 |
| 1200 |
| 1500 |
| 2000 |
| 2500 |
| 3000 |
| 4000 |
| 5000 |
| 6000 |
| 7000 |
| 8000 |
| 9000 |
| 10000 |
| 11000 |
| 12000 |
| other lengths available on request, up to 12m |

NOTE : lengths may slightly differ from the tables according to the type of connection, model type and paddle chosen

| | | | |
|---|---|---|-----------------------------|
| <p>® CAMLogic Via dell'Industria 12 42025 Cavriago (RE) - ITALY www.camlogic.it</p> | <p>CAMLogic®</p> | DRAWING N. | SHEET: |
| | | 0602_0005_00 | 3 OF 5 |
| GENERAL TOL.: ISO 2768-mH | UNLESS OTHERWISE SPECIFIED DIMENSION ARE IN [mm] | DRAWING FROM CAD SYSTEM - REFER TO 3D MODEL FOR MISSING DIMENSION - NO MANUAL MODIFICATION ALLOWED | REV: 1 |
| | | SCALE: 1:3 | DRAWN NR DATE 30.09.2021 |



OPTIONS



SIGNAL LAMP (PFG05.../L)

Adds a LED lamp on top. The lamp could be connected to NC contact (MIN level - empty), or NO contact (MAX level - full).

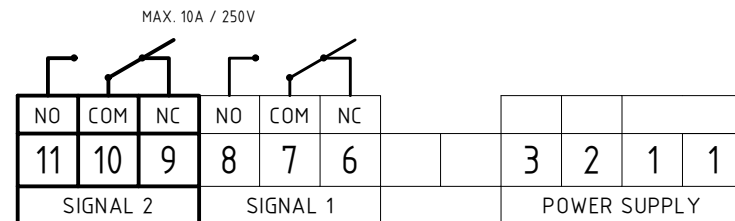
Must define a single power supply voltage: 24[V], 48[V], 115[V], 230[V]

NOTE

Model with lamp can be installed only in Atex zone 22
Marking: Ex II 3 D Ex tc IIIB T85°C Dc

DOUBLE DRY CONTACT

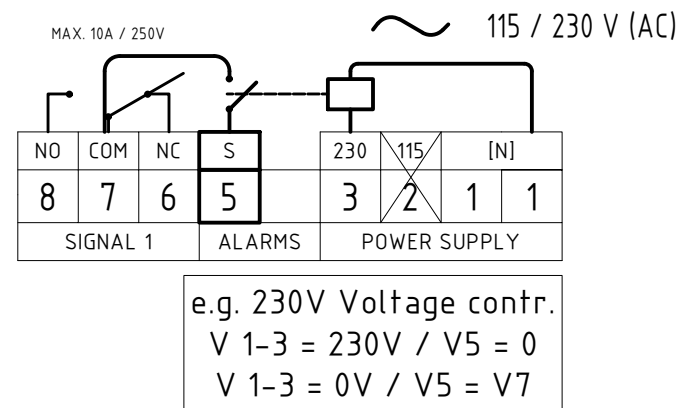
Adds a second signal contact SPDT (terminals 9 - 10 - 11)



VOLTAGE CONTROL

Adds an alarm in case of power supply failure. When power supply is OFF, a relay closes terminals 5 and 7

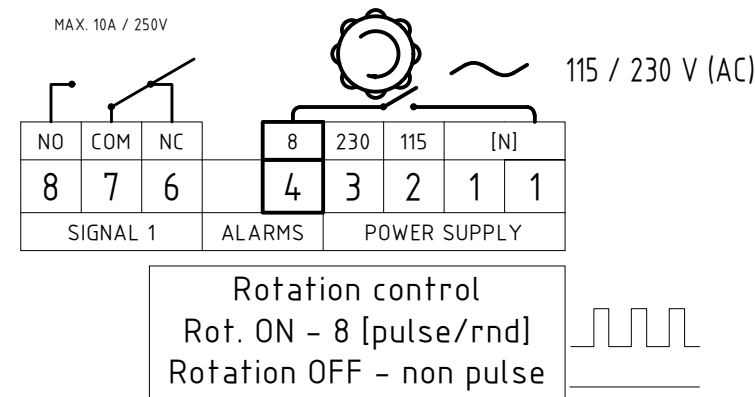
Must define a single power supply voltage: 24[V], 48[V], 115[V], 230[V]



ROTATION CONTROL

Adds a signal to indicate shaft rotation. When the shaft rotates, a microswitch generates a pulse signal (8 pulse / rotation) between terminals 1 and 4.

On request, it is possible to have the pulsed signal between terminals 4 and 7.

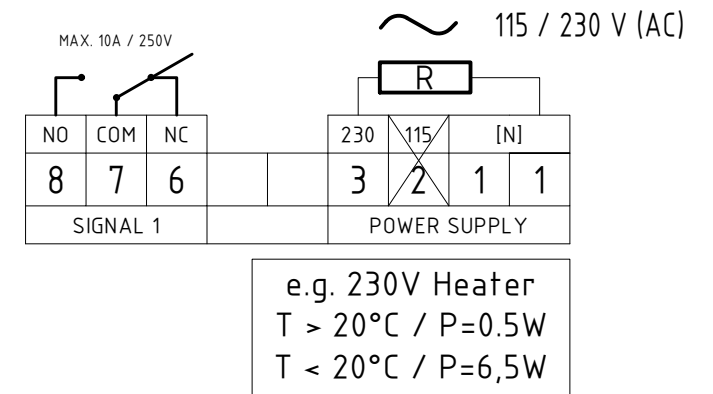


LOW TEMPERATURE (PFG05.../B)

Extends the range of use of the indicator down to a minimum temperature of -40 °C

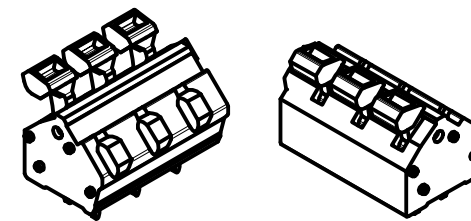
Intelligent automatic operation: when the temperature exceeds + 20 °C it stops heating (heating OFF), it is reactivated when the temperature falls again below + 20 °C (heating ON)

Must define a single power supply voltage: 24[V], 48[V], 115[V], 230[V]



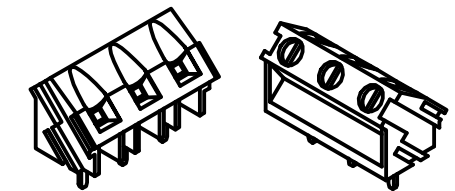
SPRING TERMINAL BLOCK

Terminals with spring terminal design. No tool needed for wires connection. 0,13 - 2,5mm2 (AWG26 - AWG14)



SCREW TERMINAL BLOCK

Terminals with screw terminal design (flat head) 0,05 - 2,5mm2 (AWG30 - AWG12)



4rpm GEARMOTOR

Increase paddle speed (4 rpm) to reduce product detection delay time (response time ~ 1,5s)

CONDENSATION FILTER

It allows the exchange of air temperature and pressure with the ambient, preventing the formation of condensation. The option does not alter the IP grade and the Ex marking of the device.